



# 20 cu. ft. French Door Refrigerator

## WRF540CWH



Fingerprint-Resistant Stainless  
WRF540CWHZ

### Also available in:

- White **WRF540CWHW**
- Black **WRF540CWHB**
- Fingerprint-Resistant Black Stainless **WRF540CWHV**

### Capacity

Total Capacity	20 cu. ft.
Refrigerator Capacity	14 cu. ft.
Freezer Capacity	6 cu. ft.

### General Features & Properties

- Interior Water Dispenser with EveryDrop® Water Filtration
- Full-Width, Temperature-Controlled Drawer
- Frameless Glass Shelves
- Gallon Door Bins
- Accu-Chill™ Temperature Management System
- Adaptive Defrost
- FreshFlow™ Produce Preserver
- LED Interior Lighting
- Designed, Engineered and Assembled in the U.S.A.

### Electrical Details

Amps	20
Volts	115

### Certifications

ENERGY STAR® Certified	Yes
------------------------	-----

### Technical Details

Refrigerator Type	French Door
Number of Doors	3
Number of Interior Refrigerator Shelves	5
Number of Refrigerator Door Bins	2 Fixed, 4 Adjustable
Number of Interior Freezer Shelves	1 Wire, 1 Plastic
Lighting Type	LED
Ice Maker	Factory Installed
Ice Maker Location	Freezer
Dispenser Type	Interior Water

### Dimensions

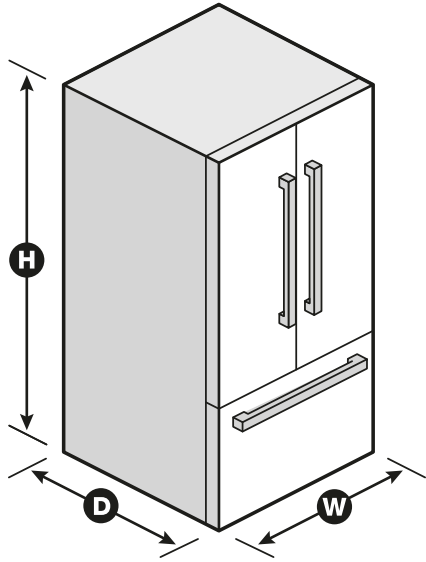
Product Dimensions (H x W x D)	70-1/8" x 35-5/8" x 29 3/8"
Depth with Door Open 90°	43"
Cutout Dimensions	Allow extra 1/2" on sides and top Allow extra 1" on rear

### Reference Material

- [Dimension Guide](#)
- [Use & Care Guide](#)
- [Energy Guide](#)
- [Warranty](#)

### Key Features & Benefits

- Fingerprint Resistant**  
Resists fingerprints and smudges with an easy-to-clean finish.
- Counter Depth Design**  
Add additional kitchen space with styling that fits virtually flush with the countertop.
- Humidity-Controlled Crispers**  
Store fruits and veggies in their ideal environment.



NOTE: Dimensions are for planning purposes only. For complete details, see Installation Instructions packed with product. Specifications subject to change without notice.  
 ®/™ © 2020. All rights reserved. Printed in the U.S.A. D200052XXC. WRF540CWH SPECSHEET V01.